

MEILUN

MOTORCYCLE PARTS

ML200-16D

2015 Edition



UNIVERSAL

H A R D W A R E®

Box 585, Center Road
Spanish Lookout
Tel 501 823 0254
sales@universalhardware.bz

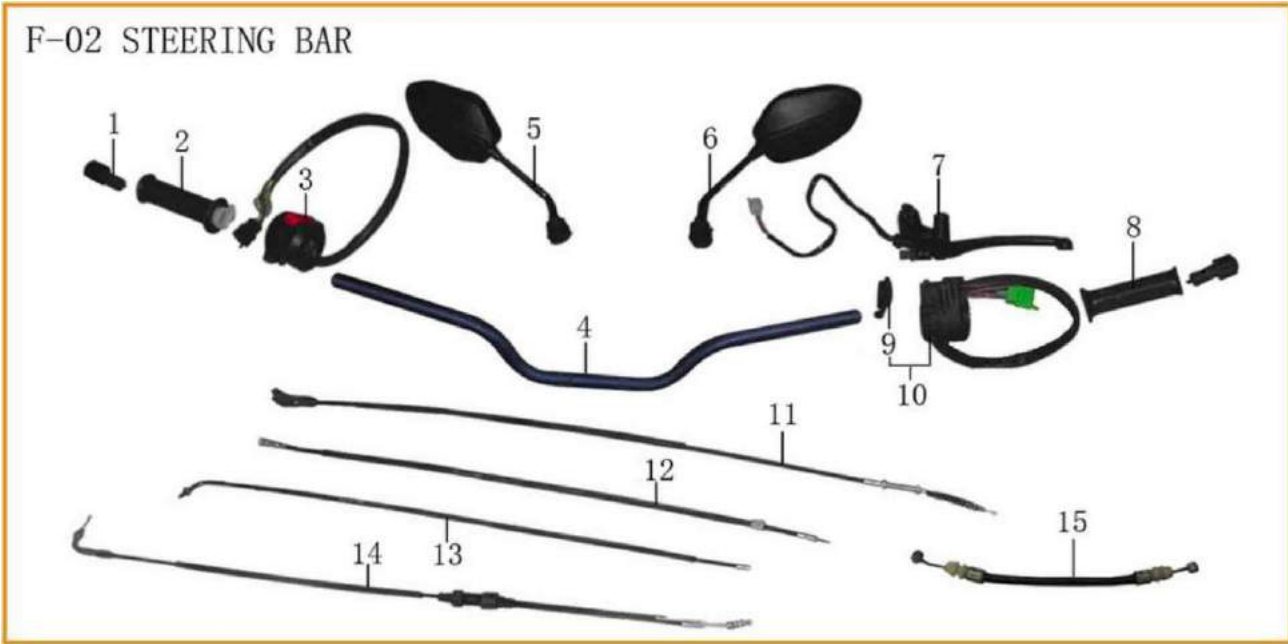
3380 Chetumal Street
Belize City
Tel 501 224 4140
salesbz@universalhardware.bz

F-01 HEDLIGHT & METER



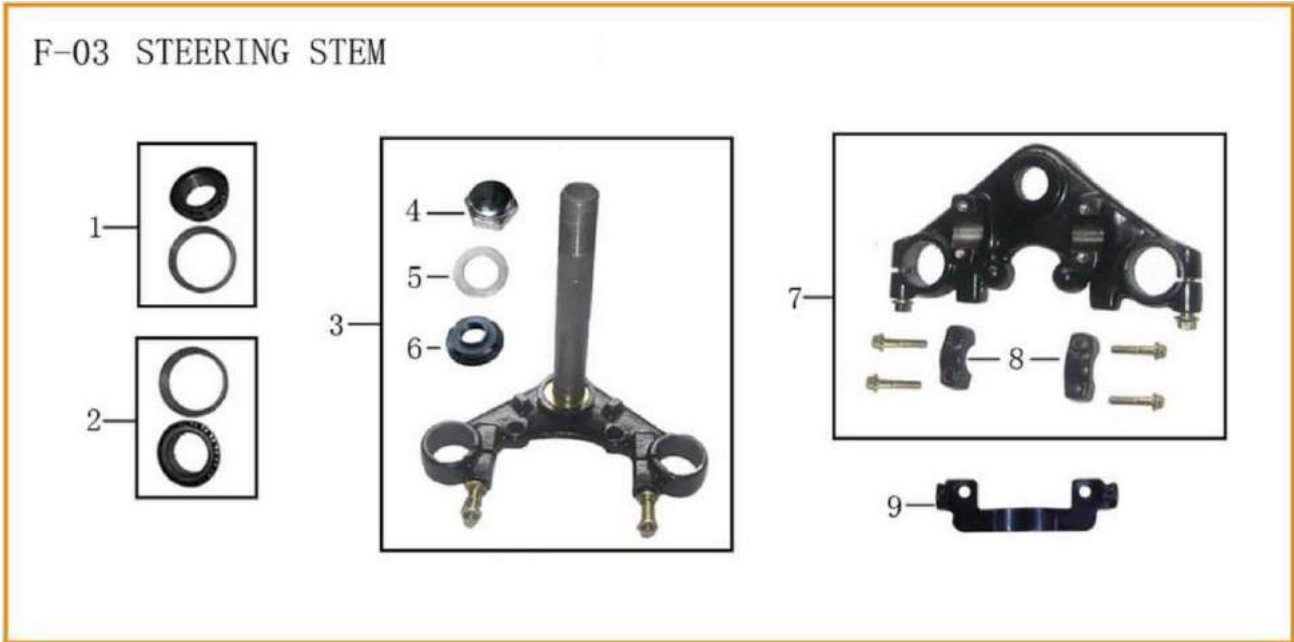
200161-1	Cowl, front	
200161-2	Ornament, front cowl	
200161-3W	Mantle, front cowl, RH White	
200161-3G	Mantle, front cowl, RH Gray	
200161-4	Mantle, front fairing rear	
200161-5W	Mantle, front cowl ,LH White	
200161-5G	Mantle, front cowl ,LH Gray	
200161-6	Headlight Assy	
200161-7	Bulb, HS1 12V35/35W	
200161-8	Bracket comp., meter	
200161-9	Rubber,meter	
200161-10	Meter Assy	
200161-11	Headlight Stay Comp	

F-02 STEERING BAR



200162-1	Steering Bar Weight	
200162-2	Grip RH	
200162-3	Handlebar Switch RH	
200162-4	Steering Bar	
200162-5	Rearview Mirror RH	
200162-6	Rearview Mirror LH	
200162-7	Clutch Lever Comp	
200162-8	Grip LH	
200162-9	Choke Lever	
200162-10	Handlebar Switch LH	
200162-11	Clutch Cable	
200162-12	Odometer Cable Comp	
200162-13	Choke Cable	
200162-14	Throttle Cable	
200162-15	Seat Lock Cable	

F-03 STEERING STEM



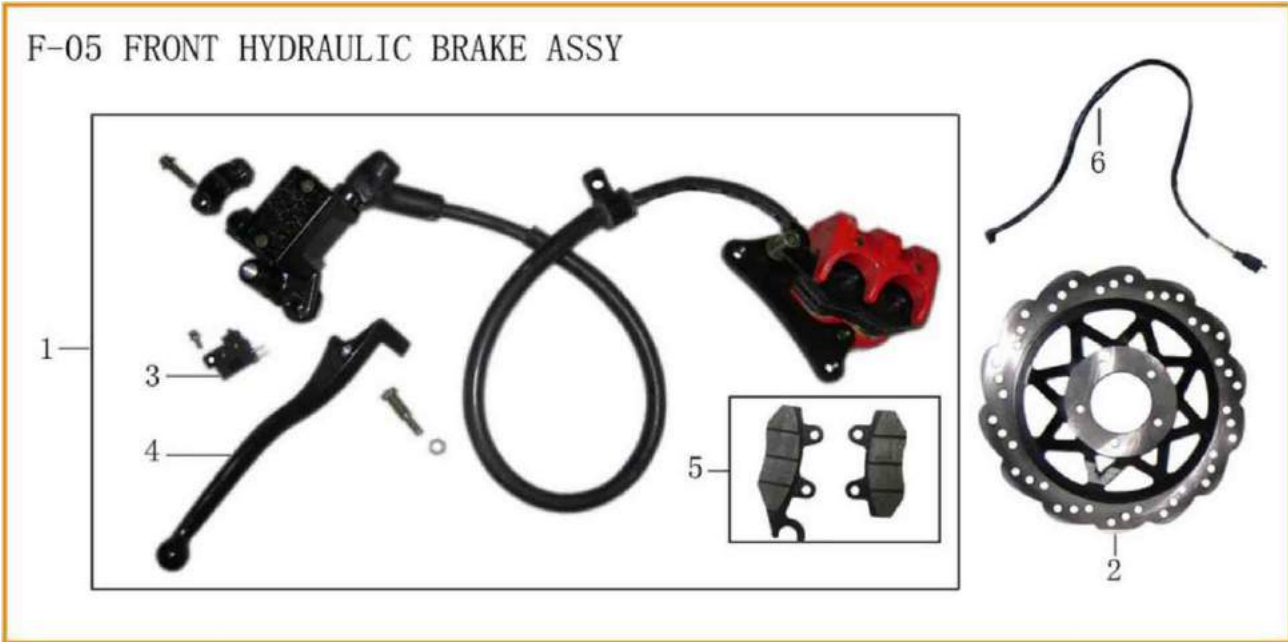
200163-1	Bearing Set Steering22.5	
200163-2	Bearing Set Steering24	
200163-3	Steering Stem	
200163-4	Nut	
200163-5	Plain Washer	
200163-6	Adjusting Nut	
200163-7	Steering Stem Top Bridge	
200163-8	Steering Bar Clamp	
200163-9	Stay comp., front fairing	

F-04 FRONT FENDER & SHOCK ABSORBER



200164-1W	Front Fender White	
200164-1G	Front Fender Gray	
200164-2	Front Fender Lining	
200164-3	Cable Bush	
200164-4	Dust cover	
200164-5	Oil seal	
200164-6	Front shock absorber RH	
200164-7	Front shock absorber LH	
200164-8	Rear Shock Absorber Assy	

F-05 FRONT HYDRAULIC BRAKE ASSY



200165-1	Front Hydraulic Brake Assy	
200165-2	front brake Disk	
200165-3	Front Brake Switch	
200165-4	Front Brake Lever	
200165-5	Front Brake Pad	
200165-6	Front brake Switch Wire	

F-06 FRONT WHEEL ASSY



200166-1	Front Axle	
200166-2	front wheel Bush RH	
200166-3	Speedometer Gearbox	
200166-4	Tyre 2.75-18	
200166-5	Tube 2.75-18	
200166-6	Front Hub Comp	

F-07 REAR WHEEL ASSY



200167-1	Sprocket	
200167-2	Snap Ring 58	
200167-3	Tube	
200167-4	Tyre	
200167-5	Rear Wheel Hub	
200167-6	Rear Brake Shoe	
200167-7	Rear Brake	
200167-8	Rear Wheel Bush LH	
200167-9	Rear Axle	

F-08 FUEL TANK



200168-1W	Fuel Tank Cushion Front White	
200168-1G	Fuel Tank Cushion Front Gray	
200168-2	Fuel Sensor	
200168-3	Fuel Tank Weldment	
200168-4	Cushion Rear	
200168-5	Fuel Tank Rear Bush	
200168-6	Fuel Lock Comp	
200168-7	Locking Set	

F-09 FUEL TANK ORNAMENT



200169-1	Guard set, lower, LH	
200169-2	Guard set, lower, RH	
200169-3	Ornament, engine	
200169-4	Ornament, fuel tank inner, RH	
200169-5	Ornament, fuel tank inner, LH	
200169-6W	Ornament, fuel tank, RH White	
200169-6G	Ornament, fuel tank, RH Gray	
200169-7W	Ornament set, fuel tank, LH White	
200169-7G	Ornament set, fuel tank, LH Gray	
200169-8	Ornament, fuel tank, RH, ϕ 0	
200169-9	Ornament, fuel tank, LH, ϕ 0	

F-10 SEAT & REAR FENDER



2001610-1	Seat Assy,Rider	
2001610-2	Pillion Assy	
2001610-3	Handrail Comp Rh	
2001610-4	Handrail Comp Lh	
2001610-5	Rear Fender	
2001610-6	Plate, rear fender connecting	
2001610-7	Tail, rear fender	
2001610-8	Bracket, rear license plate	
2001610-9	Stay, rear reflector	
2001610-10	Rear Reflector	

F-11 EXHUST MUFFLER & AIR CLEANER



2001611-1	Mantle III, muffler	
2001611-2	Mantle, muffler	
2001611-3	Mantle II, muffler	
2001611-4	Exhaust Muffler Assy	
2001611-5	Muffler Gasket	
2001611-6	Air Cleaner Assy	
2001611-7	Air Cleaner Element	

F-12 FOOTREST COMP



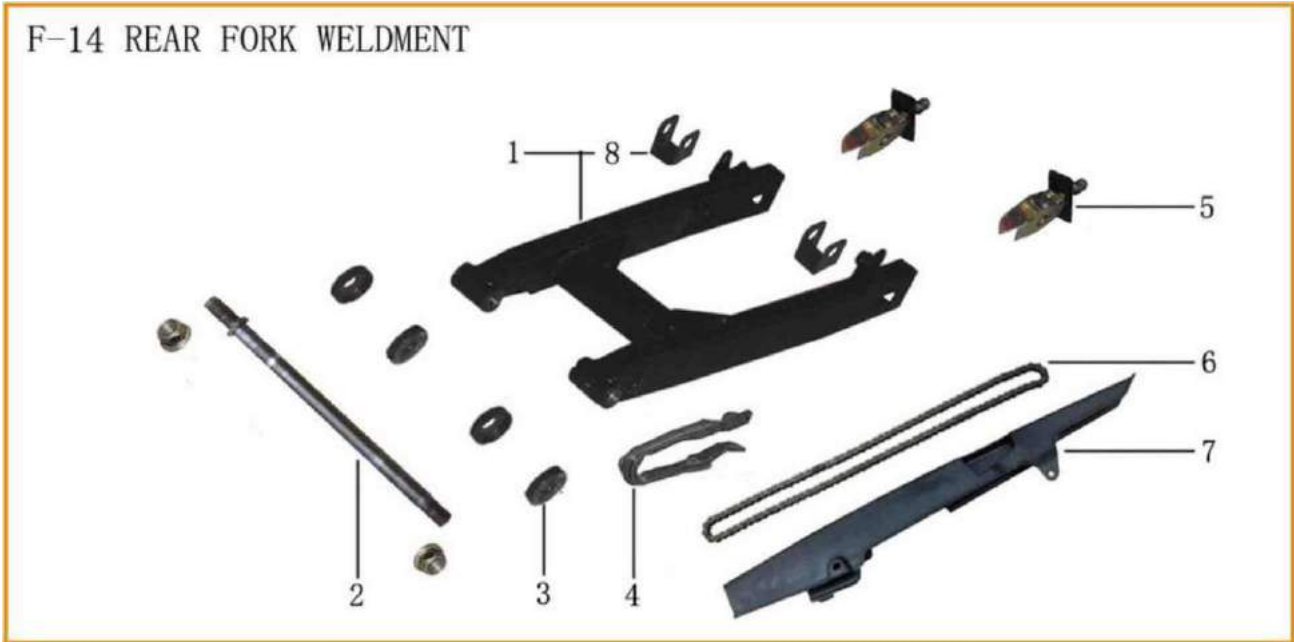
2001612-1	Rider Footrest Assy LH	
2001612-2	Rider Footrest Comp LH	
2001612-3	Rider Footrest Assy RH	
2001612-4	Rider Footrest Comp RH	

F-13 CENTER STAND

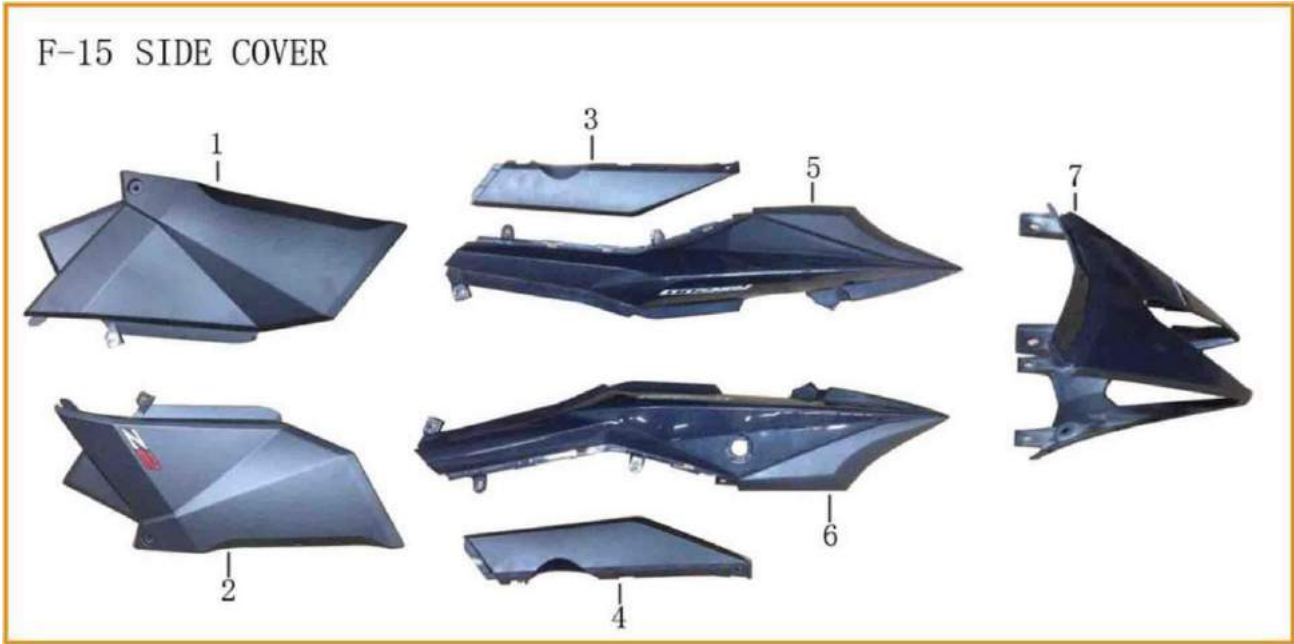


2001613-1	Center Stand Shaft	
2001613-2	Rear Brake Pedal Comp	
2001613-3	Rear Brake Rocker Arm	
2001613-4	Rear Brake Pedal Spring	
2001613-5	Center Stand Spring	
2001613-6	Center Stand	
2001613-7	Side Stand Spring	
2001613-8	Side Stand	
2001613-9	Rear Brake Link Comp	
2001613-10	Rear Brake Switch Spring	
2001613-11	Rear Brake Switch	

F-14 REAR FORK WELDMENT



2001614-1	Rear Fork Weldment	
2001614-2	Shaft Rear Fork	
2001614-3	Rear Fork Shaft Dust Cover	
2001614-4	Guard Chain	
2001614-5	Chain Adjuster Comp.	
2001614-6	Chain 520-104	
2001614-7	Chaincase	
2001614-8	Chain Adjuster Stop	



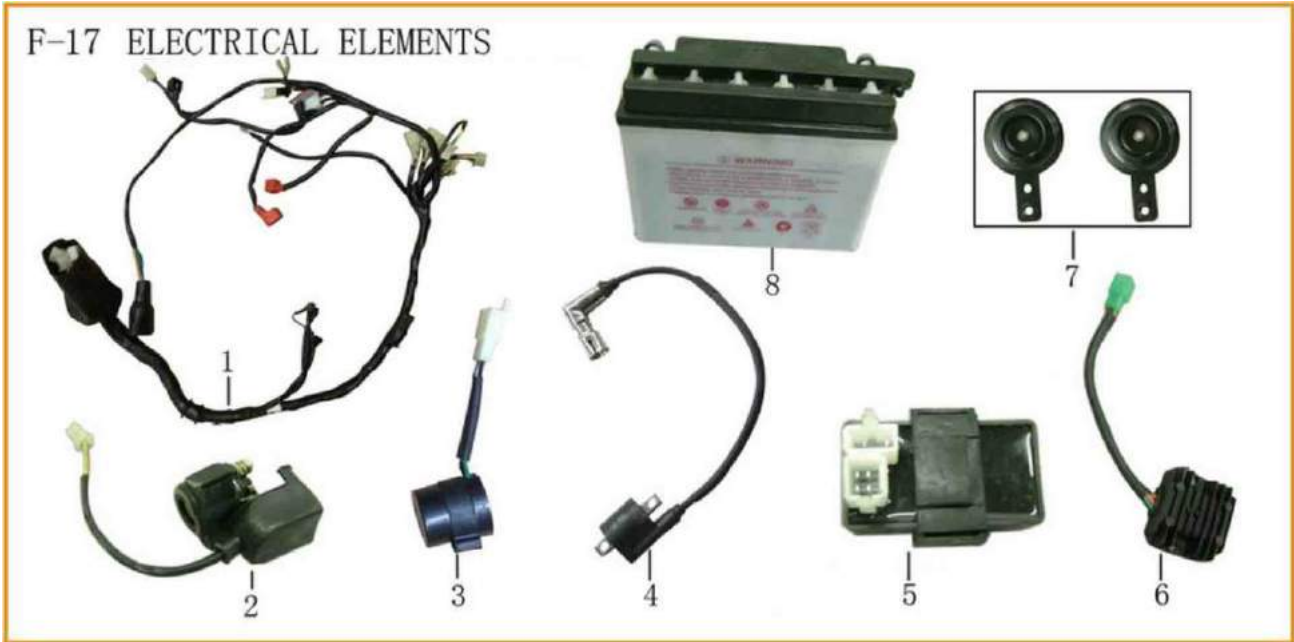
2001615-1	Side Cover RH	
2001615-2	Side Cover LH	
2001615-3	Guard, rear skirt, RH	
2001615-4	Guard, rear skirt, LH	
2001615-5W	Panel set, rear, RH White	
2001615-5G	Panel set, rear, RH Gray	
2001615-6W	Panel set, rear, LH White	
2001615-6G	Panel set, rear, LH Gray	
2001615-7W	Plate, rear-mid connecting White	
2001615-7G	Plate, rear-mid connecting Gray	

F-16 WINKER TAILLIGHT



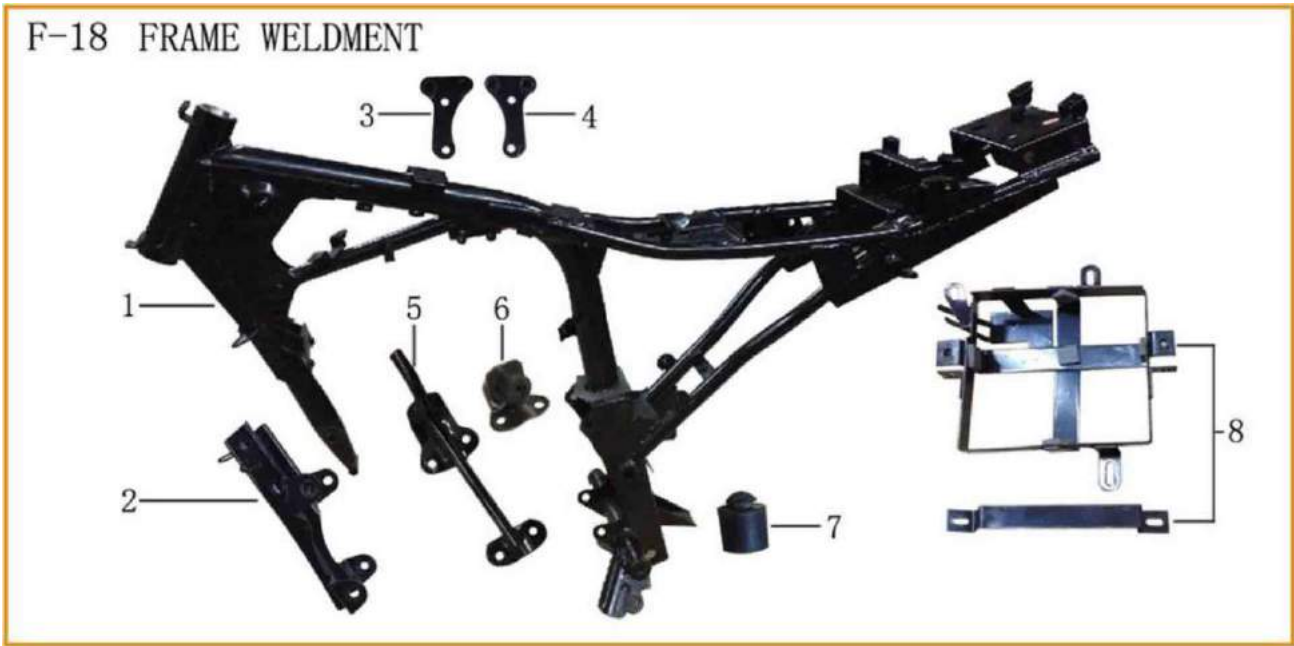
2001616-1	Winker, front, RH	
2001616-2	Winker, front, LH	
2001616-3	Rear Winker RH	
2001616-4	Rear Winker LH	
2001616-5	Taillight Assy	
2001616-6	Light comp., license plate	

F-17 ELECTRICAL ELEMENTS



2001617-1	Main Cable	
2001617-2	Start Relay	
2001617-3	Flashing Relay	
2001617-4	Ignition Coil	
2001617-5	Ignition Controller	
2001617-6	Voltage Regulator	
2001617-7	Horn	
2001617-8	Battery	

F-18 FRAME WELDMENT



2001618-1	Frame Weldment	
2001618-2	Engine Front Panel Set	
2001618-3	Panel set, engine, upper	
2001618-4	Plate, engine front connecting, RH	
2001618-5	Limiting Stay, Kick Starter	
2001618-6	Exhaust Muffler Connecting Plate	
2001618-7	Rubber,Center Stand	
2001618-8	Battery Stay Set	

F-19 Electrical Elements



2001619-1	Voltage Regulator,	
2001619-2	Ignition Controller	
2001619-3	Coil Ignition	
2001619-4	Starting Relay	

163FML-2MP

**ML200-16D
Engine Parts
2016 Edition**



UNIVERSAL
H A R D W A R E®

Box 585, Center Road
Spanish Lookout
Tel 501 823 0254
sales@universalhardware.bz

3380 Chetumal Street
Belize City
Tel 501 224 4140
salesbz@universalhardware.bz



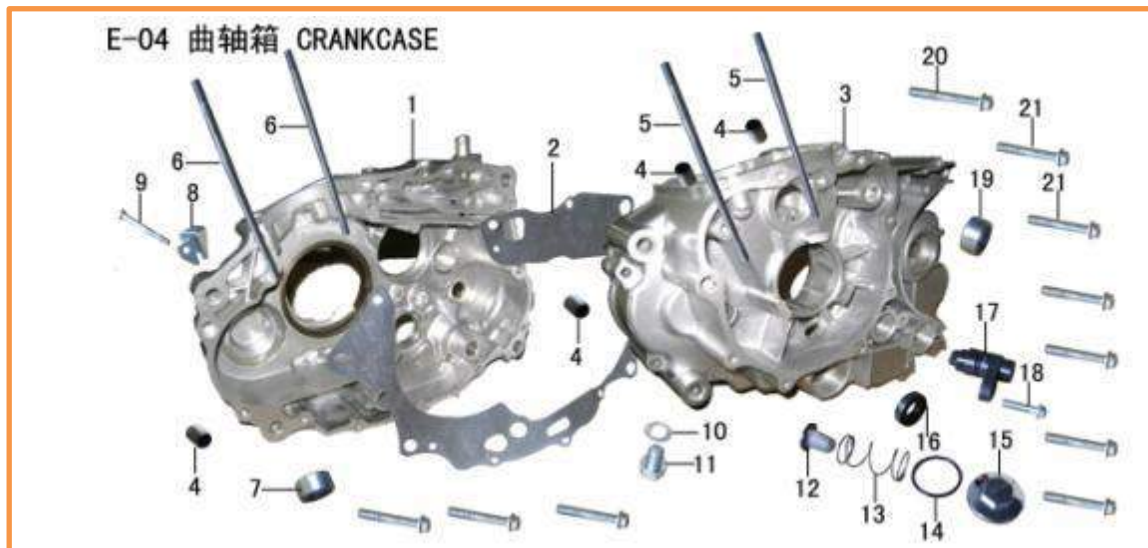
163161-1	Cylinder Head Comp	
163161-2	Cylinder Head Cover Gasket	
163161-3	Cylinder Head Cover	
163161-4	Spark Plug D8TC (D8EA NGK	
163161-5	Bolt M6x28	
163161-6	Stud M8x40	
163161-7	Bolt M6x12	
163161-8	Cylinder Head Cover Oil Passage Washer	
163161-9	Cylinder Head Washer	
163161-10	Nut Cap	
163161-11	Cylinder Head Screw M8x89	
163161-12	Cylinder Head Washer 8	
163161-13	Inlet Pipe	
163161-14	Bolt M6x22	
163161-15	Ignition Coil Wire Clip	
163161-16	Bolt M6x22	
163161-17	Cylinder Block Comp	
163161-18	Gasket, Ylinder Block	
163161-19	Cylinder Head Gasket Comp	
163161-20	Cylinder Head Dowel Pin	



163162-1	Valve Stem Seal	
163162-2	Lower Rocker O-Ring	
163162-3	Timing Driven Gear Set	
163162-4	Rocker Bracket Comp	
163162-5	Lower Rocker	
163162-6	Lower Rocker Shaft	
163162-7	Camshaft	
163162-8	Camshaft Spring	
163162-9	Rocker Arm Pusher	
163162-10	Intake Valve	
163162-11	Exhaust Valve	
163162-12	Valve Outer Spring	
163162-13	Camshaft Stopper	
163162-14	Valve Spring Retainer	
163162-15	Valve Spring Outer Seat	
163162-16	Bolt M6×12	
163162-17	Valve Split Cone	
163162-18	Lower Rocker Wave Washer	
163162-19	Bolt M8×30	
163162-20	Camshaft O-Ring	
163162-21	Camshaft Adjusting Shim	
163162-22	Rocker Shaft Washer	
163162-23	Valve Inner Speing	
163162-24	Push Rod Support	
163162-25	Valve Spring Inner Seat	



163163-1	Crankcase Cover Comp RH	
163163-2	Crankcase Cover Gasket RH	
163163-3	Crankcase Cover Dowel Pin RH	
163163-4	Plasitc Dipstick	
163163-5	Clutch Lever Comp	
163163-6	Clutch Lever Spring	
163163-7	Starting Shaft Oil Seal	
163163-8	Clutch Lever O-Ring	
163163-9	Dipstick O-Ring	
163163-10	Bolt M6×40	
163163-11	Bolt M6×55	
163163-12	Clutch Cam	
163163-13	Sight Glass	

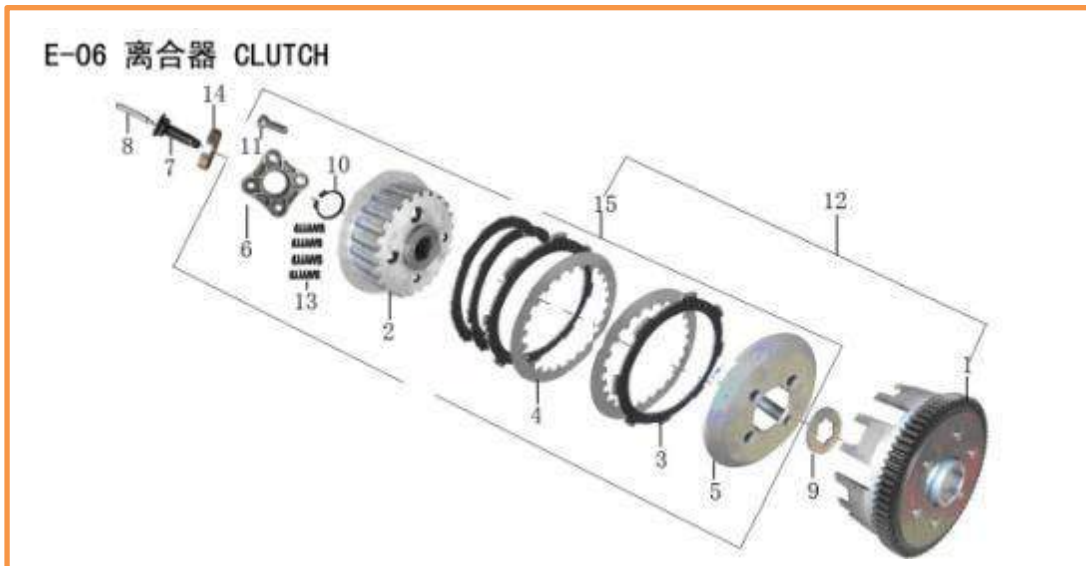


163164-1	Crankcase Comp RH	
163164-2	Crankcase Gasket	
163164-3	Crankcase Comp LH	
163164-4	Crankcase Dowel Pin	
163164-5	Cylinder Stud B	
163164-6	Cylinder Stud A	
163164-7	Needle Bearing HK 212810	
163164-8	Clutch Cable Adjusting Stay	
163164-9	Bolt M6x55	
163164-10	Plug Drain Washer	
163164-11	Crankcase Drain Plug	
163164-12	Gauze Set	
163164-13	Gauze Spring	
163164-14	Gauze Cover O-Ring	
163164-15	Gauze Cover	
163164-16	Gearshift Shaft Oil Seal	
163164-17	Pin-Keeping Body Comp	
163164-18	Bolt M6x20	
163164-19	Needle Bearing HK101400	
163164-20	Bolt M6x100	
163164-21	Bolt M6x50	

E-05 机油泵、机油滤清器 OIL PUMP & OIL FILTER



163165-1	Oil Filter Washer (φ20×φ27×0.5)	
163165-2	primary drive Gear	
163165-3	Oil Filter Rotator Comp	
163165-4	Oil Filter Cover Gasket	
163165-5	Oil Filter Cover	
163165-6	Primary Drive Gear Thrust Washer	
163165-7	primary drive gear Locknut	
163165-8	oil pump O-ring (φ9.4×φ2.4)	
163165-9	Oil Pump Assy	
163165-10	Screw M6×30	
163165-11	Screw M5×12	
163165-12	Oil Filter Assy	



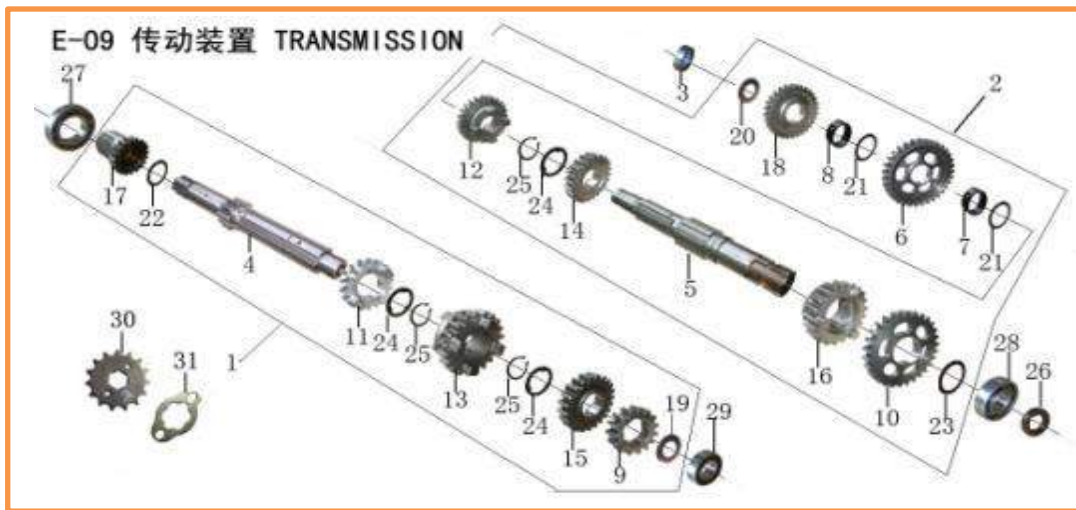
163166-1	Clutch Outer Comp	
163166-2	Clutch Center Comp	
163166-3	Clutch Friction Disc Set	
163166-4	Clutch Plate	
163166-5	Clutch Pressure Plate	
163166-6	Clutch Lifter Plate	
163166-7	Clutch Pusher	
163166-8	Clutch Lifter	
163166-9	Splined Washer	
163166-10	Circlip 17	
163166-11	Bolt M5x22	
163166-12	Clutch Main Body	
163166-13	Spring Clutch	
163166-14	Bearing 16003	
163166-15	Clutch Center Assy	



163167-1	Crankcase Cover LH	
163167-2	Crankcase Cover Dowel Pin RH	
163167-3	Needle Bearing Hk1010	
163167-4	Indicator Oil Seal	
163167-5	Gear Indicator Comp	
163167-6	Magento Stator Comp	
163167-7	Wire Clamp	
163167-8	Bolt M6x22	
163167-9	Bolt M6x12	
163167-10	View Hole Plug	
163167-11	Left Crankcase Cover Brand	
163167-12	Magneto Screw	
163167-13	Crankshaft Oil Seal LH	
163167-14	Magneto Rotor Assy	
163167-15	Crankcase Cover Gasket LH	
163167-16	Plug O-Ring	
163167-17	View Hole Plug O-Ring	
163167-18	Idler Cover O-Ring	
163167-19	Screw M5x16	
163167-20	Screw M5x28	
163167-21	Bolt M6x28	
163167-22	Bolt M6x45	
163167-23	Idlercover	
163167-24	Rear Cover LH	



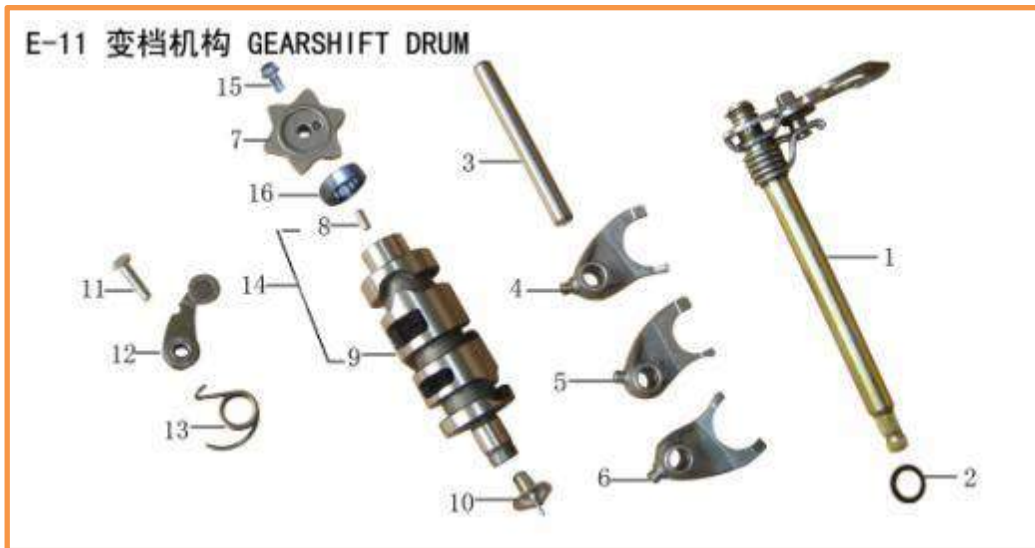
163168-1	Crankshaft & Connecting Rod	
163168-2	Piston Ring Set	
163168-3	Piston	
163168-4	Piston Pin	
163168-5	Piston Pin Circlip	
163168-6	Crankshaft Bearing RH	
163168-7	balance Shaft Assy	
163168-8	timing drive Sprocket	



163169-1	Mainshaft Comp	
163169-2	Countershaft Comp	
163169-3	Bearing NK152312	
163169-4	Mainshaft	
163169-5	Countershaft	
163169-6	Countershaft 1st Gear	
163169-7	Countershaft 1st Gear Bush	
163169-8	Starting Mid-Gear Bush	
163169-9	Mainshaft 2nd Gear	
163169-10	Countershaft 2nd Gear	
163169-11	Mainshaft 3rd Gear	
163169-12	Countershaft 3rd Gear	
163169-13	Mainshaft 4th Gear	
163169-14	Countershaft 4th Gear	
163169-15	Mainshaft 5th Gear	
163169-16	Countershaft 5th Gear	
163169-17	Starting Driven Gear Comp	
163169-18	Mid-Gear Comp., Starting	
163169-19	Mainshaft Washer	
163169-20	Starting Mid-Gear Washer	
163169-21	Countershaft Washer	
163169-22	Starting Driven Gear Washer	
163169-23	Countershaft Washer II	
163169-24	Mainshaft Spline Washer	
163169-25	Mainshaft Circlip	
163169-26	Countershaft Oil Seal	
163169-27	Bearing 6006	
163169-28	Bearing 6204	
163169-29	Bearing 6202 RS	
163169-30	Output Sproket	
163169-31	Sprocket,Locating Plate	



1631610-1	Gearshift Rod Assy	
1631610-2	Kick-Starter Assy	
1631610-3	Circlip 16	
1631610-4	Starting Shaft Assy	
1631610-5	Starting Shaft	
1631610-6	Ratchet	
1631610-7	Starting Shaft Washer I	
1631610-8	Starting Shaft Spring	
1631610-9	Starting Shaft Spring Seat	
1631610-10	Starting Return Sparing	
1631610-11	Starting Shaft Collar	
1631610-12	Spring Seat Comp	
1631610-13	Starting Shaft Washer II	
1631610-14	Starting Shaft Snap Ring	
1631610-15	Starting Shaft Washer III	
1631610-16	Starting Shaft Washer IV	
1631610-17	Starting Gear	



1631611-1	Gearshift Shaft Assy	
1631611-2	Gearshif Shaft Washer	
1631611-3	Fork Shaft	
1631611-4	Fork III	
1631611-5	Fork II	
1631611-6	Fork I	
1631611-7	Gearshift Cam	
1631611-8	Gearshift Cam Pin	
1631611-9	Gearshift Drum	
1631611-10	Gear Indicator Contact Point Comp	
1631611-11	Bolt M6x20	
1631611-12	Gear Setting Plate Comp	
1631611-13	Setting Plate Torsion Spring	
1631611-14	Gearshift Drum Comp	
1631611-15	Bolt M6x30	
1631611-16	Needle Bearing NK2110	



1631612-1	Starting Clutch Gear Comp	
1631612-2	Dual-Gear Comp. I	
1631612-3	Electric Starter	
1631612-4	Dual-Gear Washer	
1631612-5	Dual-Gear Shaft Comp	
1631612-6	Dual-Gear II	
1631612-7	Bolt M6x28	


E-13 化油器总成 CARBURETOR



1631613-1	Carburetor	
-----------	------------	--

ML200-16D

Parts Catalog

- **Always wear a helmet while driving Motorcycles**
 - **Always have your headlights on while driving, even during the day – for safety reasons and longer battery life**
 - **Make sure all lights work properly at all times**
 - **Always drive with Insurance Coverage, Licensed Motorcycle and Motorcycle Driver's License**
 - **Change oil (SAE15W/40SE) after the first 500 KMs and after every 2,000 KMs**
 - **Use Regular Gas**
 - ***Always Drive with Awareness for SAFETY.***
- 



Meilun Motorcycle Warranty Policy

Meilun Motorcycles are under 3 months or 2,000 KMs warranty – whichever comes first. Specific items under warranty are:

- The Engine, and its related parts
- Cables, Horn, Switches
- And any other manufacturer's defect on motorcycle.

The following items are *not* covered under this warranty:

- Tires, Tubes, Chain & Sprockets
- Covers, Mirrors, Light Lenses, Alarm System
- Battery – unless convincing evidence shows defect
- And any other damages or wear & tear occurring under the owner's care.